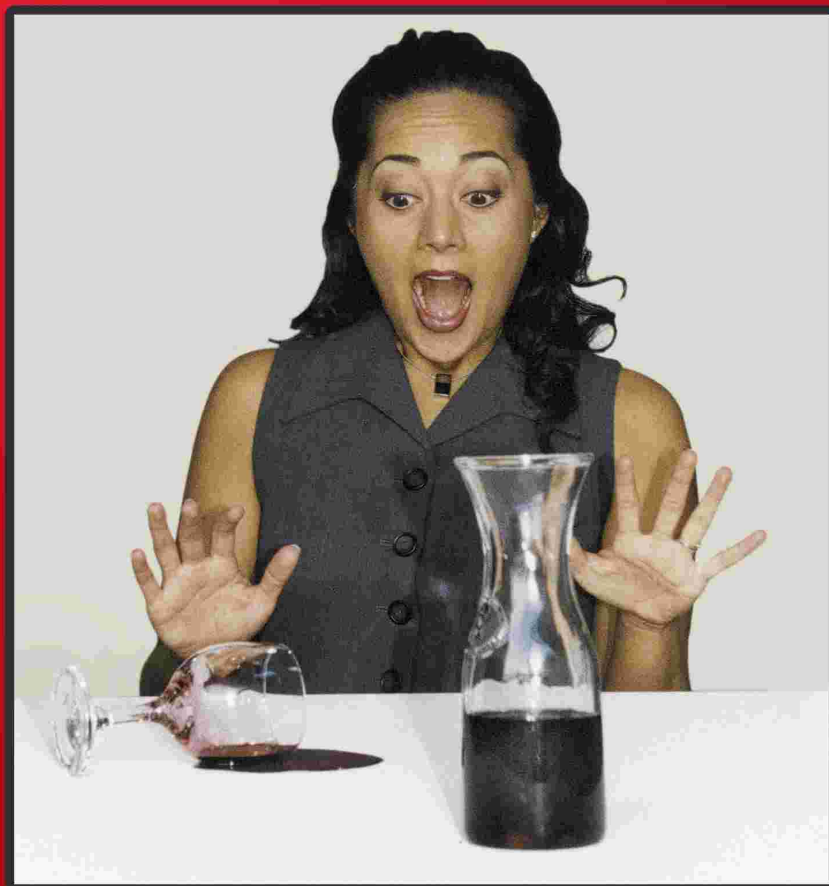


We've Moved!

"Your Wobbly Table Solution"

**TABLE
SHOX
SHOX
SHOX**



**Are your customers sitting at wobbly tables?
You can't build your business on a shaky
foundation!**

Restaurant owners agree that the #1 customer complaint usually isn't about food or service- it's about a table that just won't stay still. This small problem becomes huge when it distracts your diners and servers.

Smooth out the problem with the
World's Smallest Shock Absorber!

Awarded

"BEST OF SHOW"

New York, USA 2002
Melbourne, Australia 2004

"INNOVATION OF THE YEAR"

at Manning Awards 2004

Get TABLE SHOX

- **AUTOMATICALLY STABILIZES THE TABLE**
- **EASY TO INSTALL**
- **REQUIRES NO ADJUSTMENT**
- **ALLOW YOUR SERVERS TO FOCUS ON SERVICE**
- **ELIMINATE THE #1 CUSTOMER COMPLAINT**

*100%
It's Automatic!*



www.tablesbox.com

Ph: 1-888-593-7404

Fax: 610-593-8682

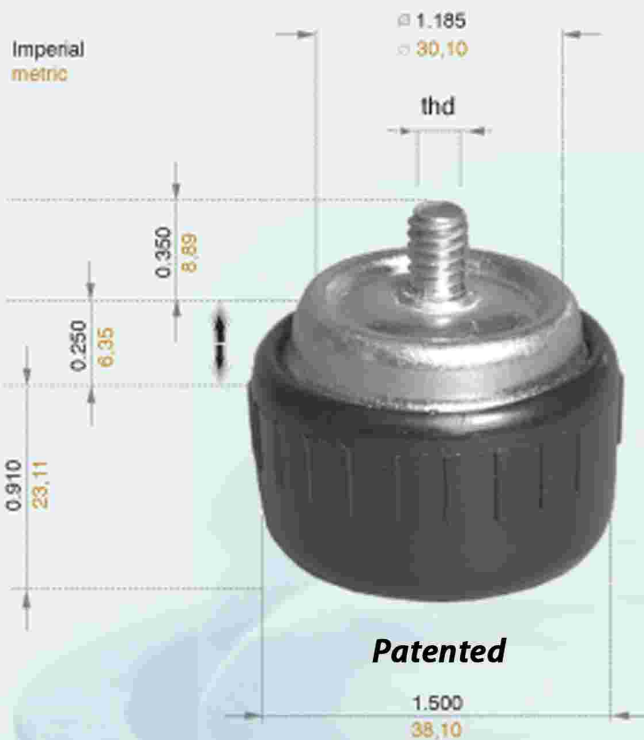


TABLE SHOX®

a Division of Jacob Holtz Inc.

Awarded
"BEST OF SHOW"
 New York, USA 2002
 Melbourne, Australia 2004
"Innovation of the Year"
 at Manning Awards 2004

TABLE SHOX® - Your wobbly table solution!

- Automatically re-adjusts each time the table is moved.
- Automatically adjusts 5/16" on any uneven surface.
- Hydraulic shock absorber design for smooth up & down motion.
- Steel, polyurethane and non-skid, impact resistant nylon.
- Swivel feature for increased stability.
- Indoor and outdoor use.

Thread Sizes:



Thread Size	Part Number	Stud Length	Stud Diameter	Weight load Per glide
1/4-20	TS1-52-1/4-20	0.300 - 0.350	0.245 (thd)	6 - 100 lb.
5/16-18	TS1-52-5/16-18	0.300 - 0.350	0.305	6 - 100 lb.
3/8-16	TS1-52-3/8-16	0.300 - 0.350	0.370	6 - 100 lb.

• Custom thread sizes available.

METRIC THREAD

M6	TS1-52-6mm	12mm	6.00mm	2.7 - 45 kg.
M8	TS1-52-8mm	16mm	8.00mm	2.7 - 45 kg.
M10	TS1-52-10mm	16mm	10.00mm	2.7 - 45 kg.

CONTACT US:

**3135 Lower Valley Road
 Parkesburg, PA 19365**

1-888-593-7404 / 1-610-593-9859

Fax: 610-593-8682

Also Available



Bag Hooks

Sturdy, Stylish, Secure
 Easy to Install!

Great for under the table
 or under the bar!

Call for more information!

Visit Our Booth at the upcoming:

**NAFEM SHOW
 OCTOBER 11-13, 2007
 ATLANTA, GA
 * * ***

**INTERNATIONAL RESTAURANT & FOODSERVER SHOW
 OF NEW YORK
 MARCH 9-11, 2008
 NEW YORK, NEW YORK
 * * ***

**NATIONAL RESTAURANT SHOW
 MAY 17-20, 2008
 CHICAGO, IL**